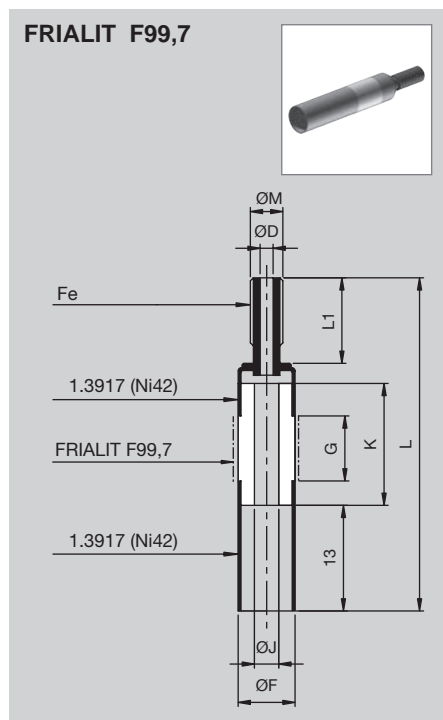


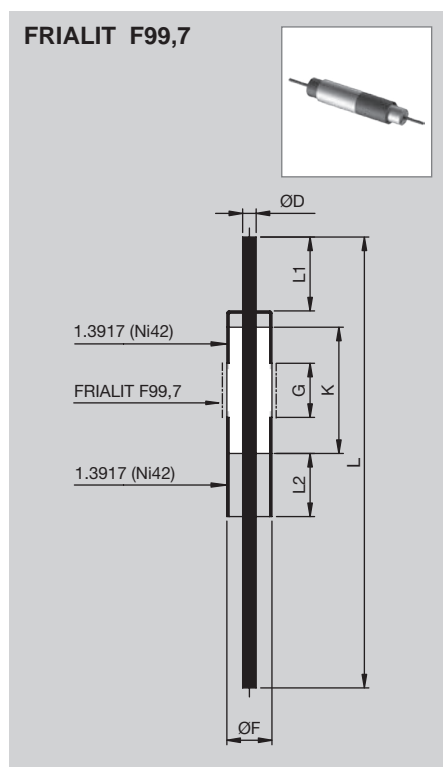
SINGLE TERMINAL FEEDTHROUGHS



Voltage (DC)	Ø M	Ø D	Ø F	Ø J	G	K	L	L1	Product No.
4 kV	M4	1,6	7	3	8	15	41	10	551-1001
6 kV	M6	2,5	9	4	13	20	47	10	551-1002
6 kV	M6	2,5	10,8	5	13	20	47	10	551-1003
6 kV	M8	3,8	13,5	6,5	13	20	54	17	551-1004

Feedthroughs are also available in other dimensions
Also available with welded-on flanges (CF, KF, etc.)

SINGLE TERMINAL FEEDTHROUGHS



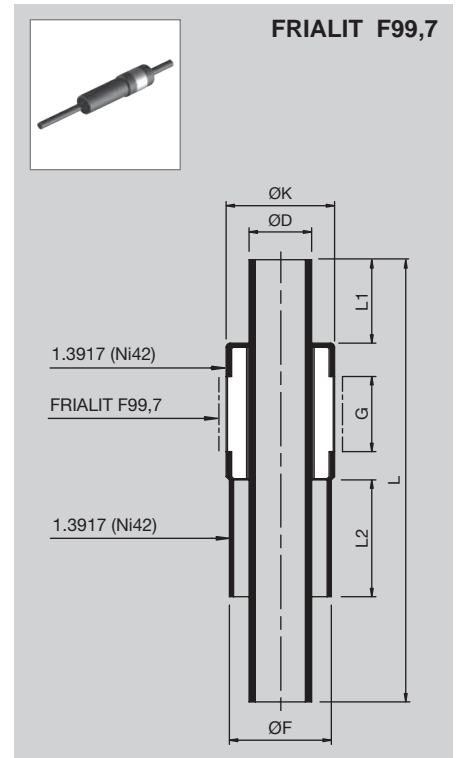
Voltage (DC)	Conductor	Current	Ø D	Ø F	G	K	L	L1	L2	Product No.
2 kV	NiFeCo	4 A	1,5x0,25	5	4	10,5	60	10	7	551-1063
2 kV	NiFeCo	5 A	1,5	5	4	10,5	60	10	7	551-1064
3 kV	NiFeCo	5 A	1,5	5	6	12,5	60	10	7	551-1066
3 kV	Cu	15 A	1,5	5	6	12,5	60	10	7	551-1066-2
4 kV	Ni42	5 A	1,5	7	8	15	57	10	13	551-0412
4 kV	Cu	15 A	1,5	7	8	15	57	10	13	551-0412-1
4 kV	Ni42	8 A	2	7	8	15	52	10	13	551-1006
4 kV	Cu	25 A	2	7	8	15	52	10	13	551-1006-1
5 kV	NiFeCo	5 A	1,5	5	10	16,5	60	10	7	551-1068
5 kV	Cu	15 A	1,5	5	10	16,5	60	10	7	551-1068-2
6 kV	Ni42	12 A	3	9	13	20	58	10	13	551-1007
6 kV	Cu	40 A	3	9	13	20	58	10	13	551-1007-1
6 kV	Ni42	20 A	4	10,8	13	20	58	10	13	551-1008
6 kV	Cu	60 A	4	10,8	13	20	58	10	13	551-1008-1
6 kV	Ni42	25 A	5	13,5	13	20	65	10	13	551-1009
6 kV	Cu	80 A	5	13,5	13	20	65	10	13	551-1009-1
8 kV	Cu	120 A	8	19,8	16	23	68	10	13	551-1010-1

Feedthroughs are also available in other dimensions
Also available with welded-on flanges (CF, KF, etc.)

SINGLE TERMINAL FEEDTHROUGHS

Voltage (DC)	Conductor	Current	Ø D	Ø F	G	L	Ø K	L1	L2	Product No.
1 kV	Ni42	4 A	1,5x0,25	4	2,8	35	4,5	6	10	551-1491
1 kV	Ni42	5 A	1,5	4	2,8	35	4,5	6	10	551-1425
1 kV	Cu	5 A	1,5	4	2,8	35	4,5	6	10	551-1425-1
4 kV	Ni42	30 A	7,5x0,75	12	8	53	13	10	14	551-1633
4 kV	Cu	90 A	7,5x0,75	12	8	53	13	10	14	551-1633-1

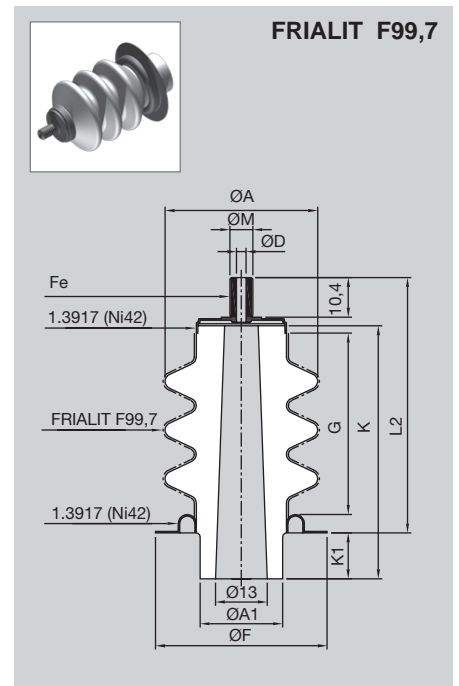
Feedthroughs are also available in other dimensions
Also available with welded-on flanges (CF, KF, etc.)



SINGLE TERMINAL FEEDTHROUGHS

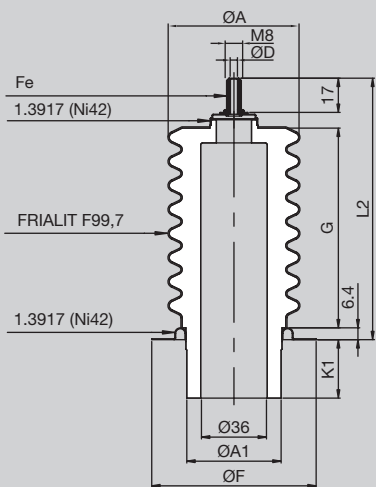
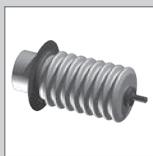
Voltage (DC)	No. of Flutes	Leakage Path	Ø M	Ø D	Ø F	Ø A	Ø A1	G	K	K1	L2	Product No.
25 kV	3	54	M6	2,5	45	40	22	45	66	12	67	551-1012

This feedthrough could be adjusted with different conductors for special electrical standards
Also available with welded-on flanges (CF, KF, etc.)



SINGLE TERMINAL FEEDTHROUGHS

FRIALIT F99,7



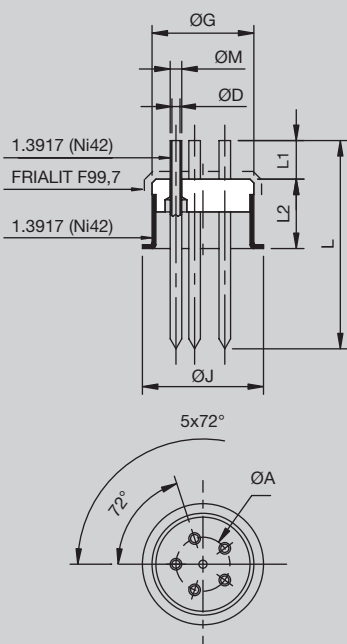
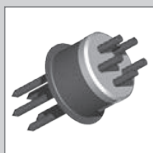
Voltage (DC)	No. of Flutes	Leakage Path	Ø M	Ø D	Ø F	Ø A	Ø A1	G	K1	L2	Product No.
50 kV	8	150	M8	3,8	88,9	70	52	108	31,6	141.4	551-0970

Order-related manufacture

This feedthrough could be adjusted with different conductors for special electrical standards
Also available with welded-on flanges (CF, KF, etc.)

MULTITERMINAL FEEDTHROUGHS

FRIALIT F99,7



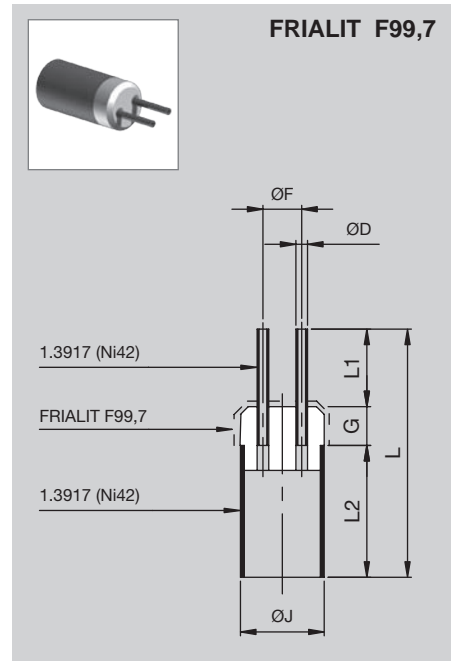
Voltage (DC)	Current	Ø D	Ø A	Ø G	Ø J	L	L1	L2	No. of Feedthroughs	Product No.
500 V Pin-Pin 1 kV Pin-Flange	4 A	1,5x0,25	7	13,2	15,7	27	5	9	5	552-2548

Feedthrough are also available in other dimensions
Also available with welded-on flanges (CF, KF, etc.)

MULTITERMINAL FEEDTHROUGHS

Voltage (DC)	Current	Ø D	Ø F	Ø J	G	L	L1	L2	No. of Feedthroughs	Product No.
500 V Pin-Pin 1 kV Pin-Flange	4 A	1,5x0,25	5	10,8	5	32	10	17	2	552-0861
500 V Pin-Pin 1 kV Pin-Flange	4 A	1,5x0,25	5	10,8	5	32	10	17	4	552-0838

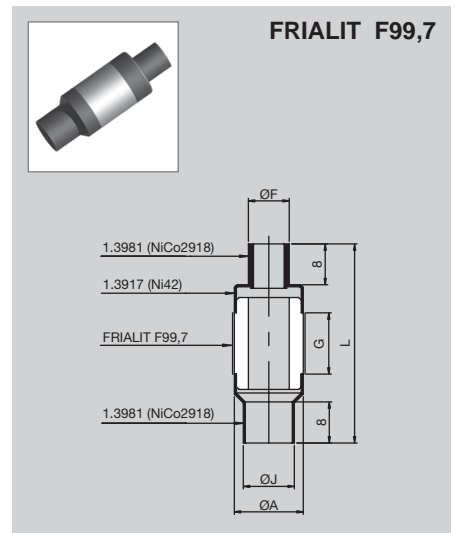
Feedthroughs are also available in other dimensions
Also available with welded-on flanges (CF, KF, etc.)



TUBE-TO-TUBE INSULATORS

Voltage (DC)	Ø F	Ø A	Ø J	G	L	Product No.
5 kV	8x6	13,5	10	12	39	559-1464

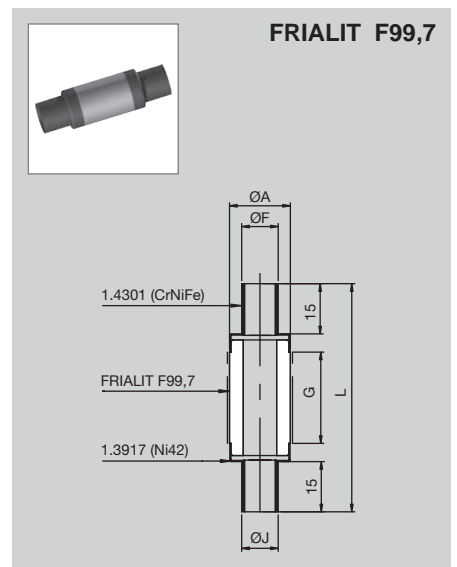
Tube-To-Tube Insulator is also available in other dimensions
Also available with welded-on flanges (CF, KF, etc.)



TUBE-TO-TUBE INSULATORS

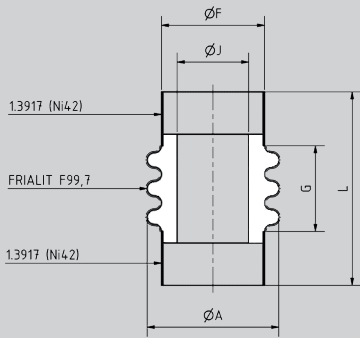
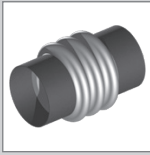
Voltage (DC)	Ø F	Ø A	Ø J	G	L	Product No.
15 kV	18	23	18	30	74	559-3664-2

Tube-To-Tube Insulator is also available in other dimensions
Also available with welded-on flanges (CF, KF, etc.)



TUBE-TO-TUBE INSULATORS

FRIALIT F99,7

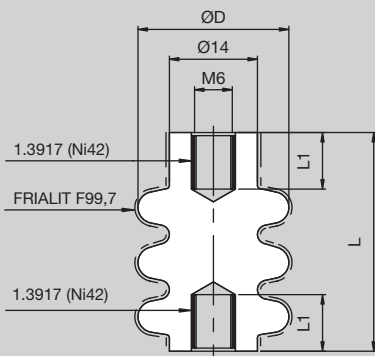
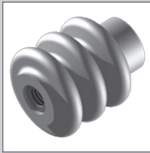


Voltage (DC)	No. of Flutes	Leakage Path	$\varnothing F$	$\varnothing A$	$\varnothing J$	G	L	Product No.
15 kV	3	44	36	46	36	30	67.6	559-0654

Tube-To-Tube Insulator is also available in other dimensions
Also available with welded-on flanges (CF, KF, etc.)

STANDOFFS

FRIALIT F99,7



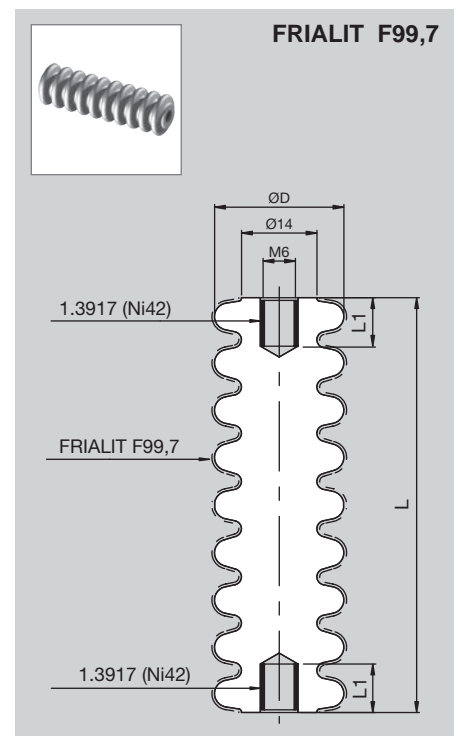
Voltage (DC)	Leakage Path	$\varnothing D$	L	L1	Product No.
15 kV	40	24	30	9	558-1162

Standoff is also available in other dimensions

STANDOFFS

Voltage (DC)	Leakage Path	Ø D	L	L1	Product No.
40 kV	130	24	80	9	558-2105

Customized parts with different lengths, different diameters or different number of flutes are also available



STANDOFFS

Voltage (DC)	Leakage Path	Ø D	L	L1	Product No.
10 kV	25	7,5	25	8	558-1511
15 kV	38	9,5	38.1	6	558-1984

Standoffs are also available in other dimensions

